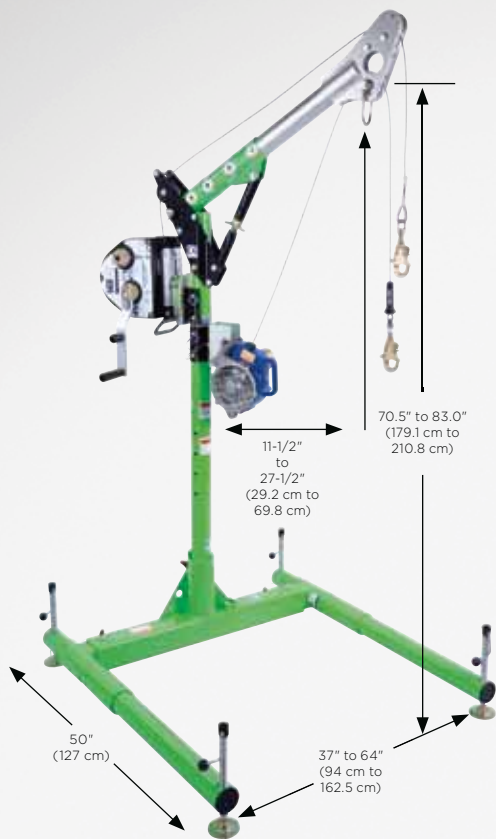


8518000

ADVANCED 5-PIECE HOIST SYSTEM

Davit arm and base system includes 11-1/2" to 27-1/2" (29.2 cm to 69.8 cm) adjustable offset upper mast (8518001), 33" (83.8 cm) lightweight lower mast (8518002) and 3-piece lightweight base (8518005). Includes winch mounting bracket. **Order winch and SRL separately.**

Weight: 100 lbs. (45.5 kg)



ADVANCED BAGS AND ACCESSORIES

8518270

ADVANCED 5-PIECE EQUIPMENT CART

Transport the advanced 5-piece system with maximum ease over smooth or rough terrain. Ideal for tight storage situations.

8518513 Set of 2 carrying bags for 8518000 Advanced 5-Piece Hoist System



8518040

ADVANCED 5-PIECE HOIST SYSTEM

Davit arm and base system includes 23-1/2" to 42-1/2" (59.7 cm to 108 cm) adjustable offset upper mast (8518006), 33" (83.8 cm) lightweight lower mast (8518002) and 3-piece lightweight base (8518008). Includes winch mounting bracket. **Order winch separately.**

Weight: 137.5 lbs. (62.3 kg)

