

# AIR-LOC® & I-SERIES LEAK LOCATOR PLUGS

Air-Loc leak locator plugs are designed for both line acceptance tests as well as leak location testing. Air-Loc front plugs can also be used as blocking plugs by simply plugging the fill and read-back ports.

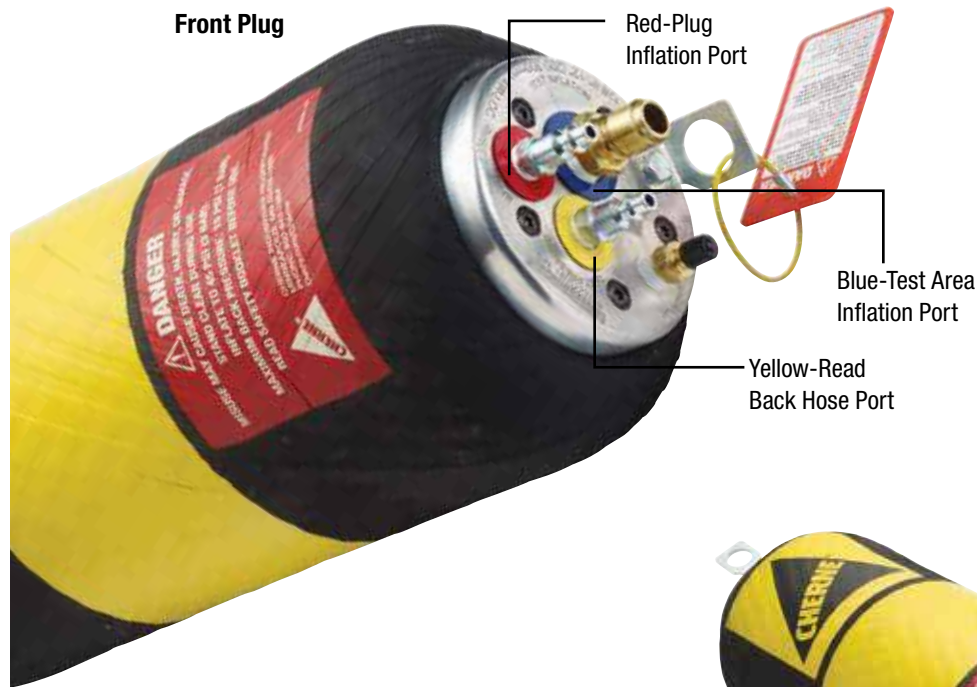
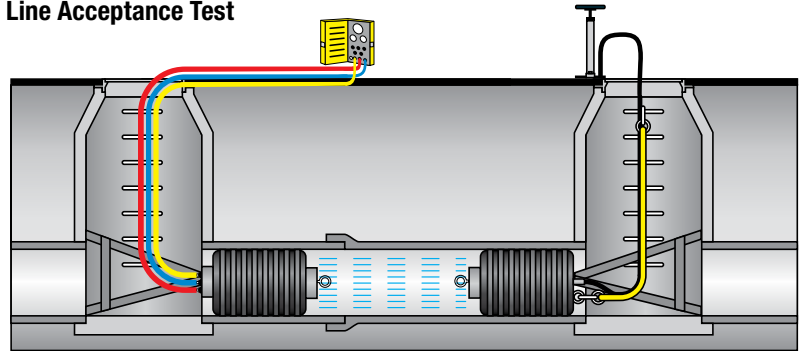
#### Features:

- Eyebolts on both ends for interconnecting plugs
- Easy to use quick-disconnect hose connections

#### “Front” Air-Loc Leak Locator Plugs also come equipped with:

- Color coded inflation ports
- Removable air fittings
- Flexible internal hoses

#### Line Acceptance Test



# AIR-LOC® & I-SERIES LEAK LOCATOR PLUGS

## FRONT PLUGS

PART NUMBER	NOMINAL SIZE	USAGE RANGE	MAXIMUM BACK PRESSURE	INFLATION PRESSURE	PRODUCT WEIGHT	DEFLATED LENGTH
<b>AIR-LOC® PLUG</b>						
217088	6"-10" (152.4-254 mm)	5.5"-10.25" (139.7-260.35 mm)	15 PSI (1 Bar)	45 PSI (3 Bar)	4.5 lbs	19.25"
317128	6"-12" (150-300 mm)	5.5"-12.25" (150-311 mm)	15 PSI (1 Bar)	45 PSI (3 Bar)	8 lbs	25"
217128	8"-12" (200-300 mm)	7"-12.25" (178-312 mm)	15 PSI (1 Bar)	45 PSI (3 Bar)	10.4 lbs	18.5"
217168	8"-16" (200-400 mm)	7.5"-16.25" (186-413 mm)	15 PSI (1 Bar)	45 PSI (3 Bar)	15 lbs	28"
217188	12"-18" (300-450 mm)	10.75"-18.25" (273-478 mm)	15 PSI (1 Bar)	45 PSI (3 Bar)	23 lbs	25"
617188	12"-18" (300-450 mm) with sleeve	10.75"-18.25" (273-478 mm)	15 PSI (1 Bar)	45 PSI (3 Bar)	38 lbs	25"
217288	12"-24" (300-600 mm)	11"-24.25" (279-616 mm)	15 PSI (1 Bar)	45 PSI (3 Bar)	31 lbs	37"
617248	12"-24" (300-600 mm) with sleeve	11"-24.25" (279-616 mm)	15 PSI (1 Bar)	45 PSI (3 Bar)	43 lbs	37"
<b>I-SERIES FRONT PLUGS</b>						
*317328	15"-32" (380-800 mm)	15"-32" (380-800 mm)	**	25 PSI (1,72 Bar)	73 lbs	48"
*317408	20"-40" (500-1000 mm)	19"-40" (475-1000 mm)	**	22 PSI (1,5 bar)	95 lbs	46.25"
*317488	24"-48" (600-1200 mm)	20.5"-50" (521-1270 mm)	**	22 psi (1,5 bar)	125 lbs	74.5"
*317600	24"-60" (600-1500 mm)	20.5"-60.5" (520-1537 mm)	**	22 psi (1,5 bar)	148 lbs	88"
*317728	48"-72" (1200-1800 mm)	44"-72.25" (1118-1835 mm)	**	12 psi (0,83 bar)	290 lbs	100"
*317968	54"-96" (1400-2400 mm)	54"-96.25" (1400-2450 mm)	**	11 psi (0,75 bar)	500 lbs	128"

\*Pressure relief valve or rupture disc \*\* Consult back pressure table below.

## BACK PRESSURE DATA: I-SERIES PLUGS

PLUG SIZE	PIPE DIAMETER								
	4"	6"	8"	10"	12"	16"	18"	21"	24"
4"-8"	30.0 psi	23.0 psi	15.0 psi	-	-	-	-	-	-
6"-12"	-	26.0 psi	23.0 psi	22.0 psi	15.0 psi	-	-	-	-
8"-12"	-	-	26.0 psi	23.0 psi	15.0 psi	-	-	-	-
8"-16"	-	-	29.0 psi	27.0 psi	25.0 psi	15.0 psi	-	-	-
12"-18"	-	-	-	-	25.0 psi	22.0 psi	15.0 psi	-	-
12"-24"	-	-	-	-	27.0 psi	25.0 psi	22.0 psi	19.0 psi	15.0 psi

PLUG SIZE	PIPE DIAMETER														
	15"	18"	19.35"	21"	24"	30"	36"	42"	48"	54"	60"	66"	72"	84"	96"
15"-32"	18.6 psi	17.6 psi	17.2 psi	16.6 psi	15.4 psi	12.2 psi	-	-	-	-	-	-	-	-	-
20"-40"	-	-	-	13.6 psi	12.5 psi	11.2 psi	10.2 psi	8.7 psi	-	-	-	-	-	-	-
24"-48"	-	-	-	-	15.2 psi	13.9 psi	12.8 psi	11.4 psi	10.1 psi	-	-	-	-	-	-
24"-60"	-	-	-	-	15.6 psi	15.2 psi	14.8 psi	14.0 psi	12.6 psi	9.6 psi	6.0 psi	-	-	-	-
40"-60"	-	-	-	-	-	-	-	15.0 psi	13.0 psi	11.0 psi	8.7 psi	-	-	-	-
48"-72"	-	-	-	-	-	-	-	-	7.2 psi	6.8 psi	6.4 psi	6.2 psi	6.0 psi	-	-
54"-96"	-	-	-	-	-	-	-	-	-	7.3 psi	7.2 psi	6.9 psi	6.8 psi	6.6 psi	6.4 psi

IMPROVED CONSTRUCTION METHODS 877-494-5793

ALWAYS BLOCK PLUGS WHEN CONDUCTING AIR TESTS.