

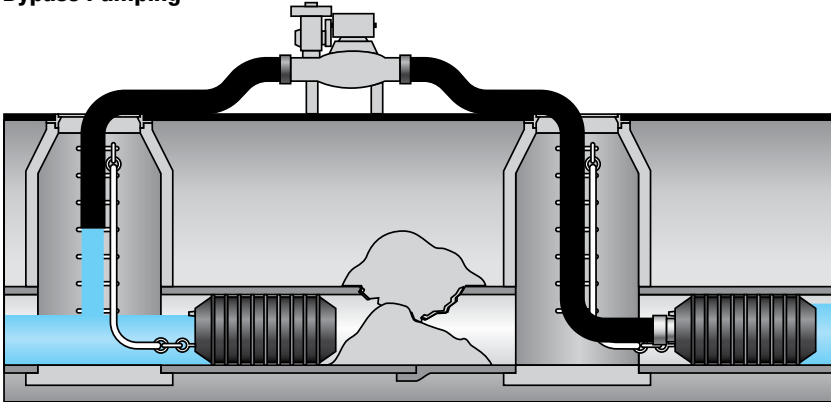
ORIGINAL MUNI-BALL® PLUGS

The Muni-Ball® Plug was introduced over 50 years ago and the Cherne brand continues to be the most trusted name in pneumatic plugs today. Muni-Ball® Plugs offer a full bypass allowing both testing and monitoring of piping systems. Muni-Balls® are ideal for installation and repair of residential or commercial piping systems. Cherne Muni-Ball® products can also be used for maintenance of municipal infrastructure, including sanitary and storm sewer pipe systems. Muni-Ball® plugs are durable, rugged and are effective on almost any type of pipe.

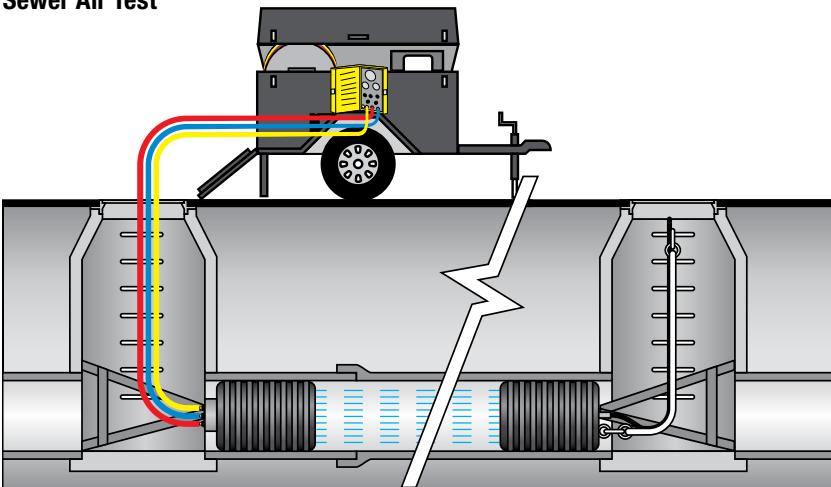
Features:

- Muni-Ball® Plugs are supplied with Schrader tire inflation valves
- Larger diameter Muni-Ball® Plugs include a removable threaded valve, allowing the user to replace with quick disconnect fittings
- Multi-Size® Muni-Ball® Plugs allow more options and less inventory
- 8", 10", 12" and 15" Sizes now include modified plug (078751) for sewer air tests

Bypass Pumping



Sewer Air Test



SINGLE SIZE



PART NUMBER	NOM. SIZE	BYPASS DIAMETER (NPT)	USAGE RANGE	MAXIMUM BACK PRESSURE	INFLATION PRESSURE	PRODUCT WEIGHT	DEFLATED LENGTH	DEFLATED DIAMETER	INFLATION THREAD	CHAIN / EYE BOLTS	
262008	1.5" (40 mm)	1/4" M	1.49"-1.88" (38-48 mm)	22 psi (1,5 bar)	50 ft (15 M)	40 psi (2,8 bar)	0.3 lbs (0.2 kg)	3.8" (97 mm)	1.4" (36 mm)	Molded in Valve	Removable Chain
262010	2" (50 mm)	1/8" F	1.88"-2.25" (48-57 mm)	22 psi (1,5 bar)	50 ft (15 M)	40 psi (2,8 bar)	0.4 lbs (0.3 kg)	6" (152 mm)	1.75" (44 mm)	Molded in Valve	Removable Chain
262038	2.5" (64 mm)	1/8" F	2.25"-2.75" (57-70 mm)	15 psi (1 bar)	35 ft (11 M)	40 psi (2,8 bar)	0.6 lbs (0.27 kg)	5.7" (145 mm)	2.07" (53 mm)	Molded in Valve	Removable Chain
262258	3" (75 mm)	1/2" F	2.62"-3.25" (67-83 mm)	22 psi (1,5 bar)	50 ft (15 M)	40 psi (2,8 bar)	1.25 lbs (0.5 kg)	8" (203 mm)	2.5" (64 mm)	Molded in Valve	Removable Chain
262048	4" (100 mm)	3/4" F	3.25"-4.25" (83-108 mm)	22 psi (1,5 bar)	50 ft (15 M)	40 psi (2,8 bar)	1.5 lbs (0.7 kg)	8" (203 mm)	3.13" (80 mm)	Molded in Valve	1/4" (1)
262064	6" (150 mm)	1 1/2" F	4.50"-6.25" (144-159 mm)	13 psi (0,9 bar)	30 ft. (9.1 M)	35 psi (2,4 bar)	2 lbs (1 kg)	7" (178 mm)	4.5" (112 mm)	1/8"	1/4" (1)
262080	8" (200 mm)	3" F	7.00"-8.25" (178-210 mm)	13 psi (0,9 bar)	30 ft. (9.1 M)	35 psi (2,4 bar)	5 lbs (2.3 kg)	10" (254 mm)	6.75" (170 mm)	1/4"	3/8" (1)
262110	10" (250 mm)	3" F	9.00"-10.25" (229-260 mm)	13 psi (0,9 bar)	30 ft. (9.1 M)	35 psi (2,4 bar)	9 lbs (4 kg)	11.75" (298 mm)	8.75" (222 mm)	1/4"	3/8" (1)
262129	12" (300 mm)	3" F	10.50"-12.25" (267-311 mm)	13 psi (0,9 bar)	30 ft. (9.1 M)	35 psi (2,4 bar)	13 lbs (6 kg)	13.75" (350 mm)	10.25" (260 mm)	1/4"	3/8" (1)
262137	15" - 16" (375-400 mm)	3" F	14.0"-16.0" (356-413 mm)	13 psi (0,9 bar)	30 ft. (9.1 M)	35 psi (2,4 bar)	33 lbs (15 kg)	19.75" (502 mm)	13.75" (346 mm)	1/4"	3/8" (1)

MULTI-SIZE

PART NUMBER	NOMINAL SIZE	BYPASS DIAMETER (NPT)	USAGE RANGE	MAXIMUM BACK PRESSURE	INFLATION PRESSURE	PRODUCT WEIGHT	DEFLATED LENGTH	DEFLATED DIAMETER	INFLATION THREAD	CHAIN / EYE BOLTS	
265048	4" - 6" (100-150 mm)	3/4" F	3.75"-6.25" (95-159 mm)	17 psi (1,2 bar)	40 ft (12 M)	35 psi (2,4 bar)	2.5 lbs (1.1 kg)	10.75" (273 mm)	3.46" (88 mm)	1/8"	1/4" (1)
265068	6" - 8" (150-200 mm)	1 1/2" F	5.50"-8.35" (133-212 mm)	17 psi (1,2 bar)	40 ft (12 M)	35 psi (2,4 bar)	6 lbs (2.7 kg)	13" (330 mm)	5" (125 mm)	1/4"	3/8" (1)
265078	8" - 10" (22-250 mm)	2" F	7.00"-10.25" (178-260 mm)	17 psi (1,2 bar)	40 ft (12 M)	30 psi (2,1 bar)	9 lbs (3 kg)	14.5" (368 mm)	6.75" (171 mm)	1/4"	3/8" (1)

I-SERIES MUNI BALL® PLUGS

The future in pipe plugs is now.

Features:

- Industry leading quality, consistency, and durability
- Mechanical bonding of premium natural rubber and end plates eliminates failures from chemical bonding
- Improved performance and safety through optimized design
- Superior back pressure
- Premium performance and aesthetics
- Lightweight, short, and flexible

Cherne's I-Series Muni-Ball plugs were designed to meet the needs of both the US and International markets in terms of size and expansion range. Our I-Series plugs have full body cording for added durability.

I-Series plugs feature:

- Superior expansion range
- Small deflated diameters
 - All plugs up through our 24–60" size easily fit through a 24" manhole frame
 - 48–72" and 54–96" plugs fit through 36" openings
- Flexible bypass hoses – plugs can be bent to 90 degrees

Plugs 15-32" and larger:

- Aluminum end plates – minimizes rust/corrosion
- 3/4" eyebolts on plugs 15–32" and larger – better holding strength
- Patented field replaceable rupture discs or pressure relief valves on plugs 15–32" and larger – protects plug from over-inflation

Protective sleeves available for 12"–18" diameter and larger plugs.



I-SERIES MUNI BALL® PLUGS



Protective sleeves available for 12"-18" diameter and larger plugs.

PART NUMBER	NOMINAL SIZE	BYPASS DIAMETER (NPT)	USAGE RANGE	MAXIMUM BACK PRESSURE	INFLATION PRESSURE	PRODUCT WEIGHT	DEFLATED LENGTH
311088	4"-8" (100-200 mm)	1/2" M	3.95"-8.25" (92-210 mm)	15 PSI (1 Bar)	45 PSI (3 Bar)	4.7 lbs	23"
311128	6"-12" (150-300 mm)	1" M	5.5"-12.25" (140-310 mm)	15 PSI (1 Bar)	45 PSI (3 Bar)	9.5 lbs	25"
212128	8"-12" (200-300 mm)	2" M	7"-12.25" (178-311 mm)	15 PSI (1 Bar)	45 PSI (3 Bar)	12.3 lbs	18.5"
312168	8"-16" (200-400 mm)	2" M	7.5"-16.25" (186-413 mm)	15 PSI (1 Bar)	45 PSI (3 Bar)	15.9 lbs	28"
214188	12"-18" (300-450 mm)	3" M	10.75"-18.25" (273-464 mm)	15 PSI (1 Bar)	45 PSI (3 Bar)	28.1 lbs	25"
613188	12"-18" (300-450 mm) with sleeve	3" M	10.75"-18.25" (273-464 mm)	15 PSI (1 Bar)	45 PSI (3 Bar)	43 lbs	25"
312248	12"-24" (300-600 mm)	3" M	11"-24.25" (279-616 mm)	15 PSI (1 Bar)	45 PSI (3 Bar)	35.2 lbs	37"
654248	12"-24" (300-600 mm) with sleeve	3" M	11"-24.25" (279-616 mm)	15 PSI (1 Bar)	45 PSI (3 Bar)	50.2 lbs	37"

BACK PRESSURE DATA: I-SERIES PLUGS

PLUG SIZE	PIPE DIAMETER								
	4"	6"	8"	10"	12"	16"	18"	21"	24"
4"-8"	30.0 psi	23.0 psi	15.0 psi	-	-	-	-	-	-
6"-12"	-	26.0 psi	23.0 psi	22.0 psi	15.0 psi	-	-	-	-
8"-12"	-	-	26.0 psi	23.0 psi	15.0 psi	-	-	-	-
8"-16"	-	-	29.0 psi	27.0 psi	25.0 psi	15.0 psi	-	-	-
12"-18"	-	-	-	-	25.0 psi	22.0 psi	15.0 psi	-	-
12"-24"	-	-	-	-	27.0 psi	25.0 psi	22.0 psi	19.0 psi	15.0 psi

I-SERIES MUNI BALL® PLUGS CONTINUED

I-SERIES MUNI BALL® PLUGS

PART NUMBER	NOMINAL SIZE	BYPASS DIAMETER (NPT)	USAGE RANGE	MAXIMUM BACK PRESSURE	INFLATION PRESSURE	PRODUCT WEIGHT	DEFLATED LENGTH	DEFLATED DIAMETER	INFLATION THREAD	CHAIN / EYE BOLTS
312328	15"-32" (375-800 mm)	2" M	15"-32" (375-800 mm)	**	25 psi (1,72 bar)	73 lbs (33.2 kg)	48" (1220 mm)	14.3" (363 mm)	1/4" & 1/2"	3/4" (2)
314328	15"-32" (375-800 mm)	4" M	15"-32" (375-800 mm)	**	25 psi (1,72 bar)	80 lbs (36.4 kg)	48" (1220 mm)	14.3" (363 mm)	1/4" & 1/2"	3/4" (2)
316328	15"-32" (375-800 mm)	6" M	15"-32" (375-800 mm)	**	25 psi (1,72 bar)	94 lbs (42.75 kg)	48" (1220 mm)	14.3" (363 mm)	1/4" & 1/2"	3/4" (2)
312418	20" - 40" (500-1000 mm)	2" M	20"-40" (508-1000 mm)	**	25 psi (1,72 bar)	105 lbs (47.6 kg)	53.5" (1359 mm)	19.5" (495.3 mm)	1/4" & 1/2"	1/2" (2)
314418	20" - 40" (500-1000 mm)	4" M	20"-40" (508-1000 mm)	**	25 psi (1,72 bar)	112 lbs (50.8 kg)	53.5" (1359 mm)	19.5" (495.3 mm)	1/4" & 1/2"	1/2" (2)
316418	20" - 40" (500-1000 mm)	6" M	20"-40" (508-1000 mm)	**	25 psi (1,72 bar)	123 lbs (55.79 kg)	53.5" (1359 mm)	19.5" (495.3 mm)	1/4" & 1/2"	1/2" (2)
314488	24" - 48" (600-1200 mm)	4" M	20"-50" (510-1270 mm)	**	22 psi (1,5 bar)	150 lbs (68 kg)	68" (1730 mm)	20" (485 mm)	1/4" & 1/2"	3/4" (2)
316488	24" - 48" (600-1200 mm)	6" M	20"-50" (510-1270 mm)	**	22 psi (1,5 bar)	153 lbs (69.5 kg)	68" (1730 mm)	20" (485 mm)	1/2"	3/4" (2)
314600	24" - 60" (1400-1500 mm)	4" M	20.5" - 60.5" (520 - 1537 mm)	**	22 psi (1,5 bar)	153 lbs (69.5 kg)	88" (2235 mm)	20" (485 mm)	1/4" & 1/2"	3/4" (2)
316600	24" - 60" (600-1500 mm)	6" M	20.5" - 60.5" (520 - 1537 mm)	**	22 psi (1,5 bar)	164 lbs (74.5 kg)	88" (2235 mm)	20" (485 mm)	1/4" & 1/2"	3/4" (2)
314728	48" - 72" (1200-1800 mm)	4" M	44"-72.25" (1118-1835 mm)	**	12 psi (0,83 bar)	310 lbs (141 kg)	93" (2632 mm)	43" (1092 mm)	1/2" (2)	3/4" (3)
316728	48" - 72" (1200-1800 mm)	6" M	44" - 72.25" (1200 - 1835 mm)	**	12 psi (0,83 bar)	418 lbs (190.0 kg)	93" (2632 mm)	43" (1092 mm)	1/2" (2)	3/4" (3)
318728	48" - 72" (1200-1800 mm)	8" Flanged	44" - 72.25" (1200 - 1835 mm)	**	12 psi (0,83 bar)	448 lbs (203.6 kg)	93" (2632 mm)	43" (1092 mm)	1/2" (2)	3/4" (3)
314968	54" - 96" (1400-2400 mm)	4" M	54"-96.25" (1400-2450 mm)	**	11 psi (0,75 bar)	500 lbs (228 kg)	128" (3200 mm)	43" (1092 mm)	1/2" (2)	3/4" (3)
316968	54" - 96" (1400-2400 mm)	6" M	50" - 96.25" (1270 - 2400 mm)	**	11 psi (0,75 bar)	480 lbs (218.2 kg)	132" (3353 mm)	43" (1092 mm)	1/2" (2)	3/4" (3)
319968	54" - 96" (1400-2400 mm)	8" Flanged	50" - 96.25" (1270 - 2400 mm)	**	11 psi (0,75 bar)	506 lbs (230.0 kg)	132" (3353 mm)	43" (1092 mm)	1/2" (2)	3/4" (3)

BACK PRESSURE DATA: I-SERIES PLUGS

PLUG SIZE	PIPE DIAMETER																		
	4"	6"	8"	12"	15"	18"	19.35"	21"	24"	30"	36"	42"	48"	54"	60"	66"	72"	84"	96"
15"-32"	-	-	-	18.6 psi	17.6 psi	17.2 psi	16.6 psi	15.4 psi	12.2 psi	-	-	-	-	-	-	-	-	-	-
20"-40"	-	-	-	-	-	-	13.6 psi	12.5 psi	11.2 psi	10.2 psi	8.7 psi	-	-	-	-	-	-	-	-
24"-48"	-	-	-	-	-	-	-	15.2 psi	13.9 psi	12.8 psi	11.4 psi	10.1 psi	-	-	-	-	-	-	-
24"-60"	-	-	-	-	-	-	-	15.6 psi	15.2 psi	14.8 psi	14.0 psi	12.6 psi	9.6 psi	6.0 psi	-	-	-	-	-
40"-60"	-	-	-	-	-	-	-	-	-	-	15.0 psi	13.0 psi	11.0 psi	8.7 psi	-	-	-	-	-
48"-72"	-	-	-	-	-	-	-	-	-	-	-	7.2 psi	6.8 psi	6.4 psi	6.2 psi	6.0 psi	6.0 psi	-	-
54"-96"	-	-	-	-	-	-	-	-	-	-	-	-	7.3 psi	7.2 psi	6.9 psi	6.8 psi	6.6 psi	6.4 psi	-

IMPROVED CONSTRUCTION METHODS 877-494-5793