

# POINT REPAIR CARRIER

Cherne's point repair carriers are well-suited for most point repair systems. Available for multi-size line covers pipe sizes from 4"–36" diameters and lengths up to 15'. Cherne's carriers are known for both their durability and reliability. Custom lengths are available upon request.

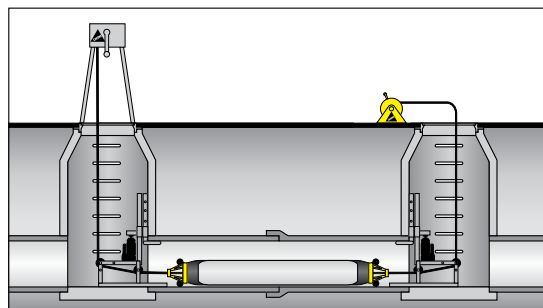
## Features:

- Maximum pipe contact guides and center line ensure proper placement of repair medium to minimize waste and increase productivity
- 1/4" NPT Inflation Port with male quick disconnect for ease of connection
- Durable, flexible natural corded rubber
- Bypass design allows sewage bypass during repair – no need to shut down the line
- The flexible design allows all units to be folded in half for transport
- Redesigned integrated caster wheel assembly and bypass channel have been optimized for ease of movement and enhanced bypass of effluent
- Reduced deflated diameters

## POINT REPAIR CARRIERS



PART NUMBER	FOR PIPE SIZE / DIAMETER	LENGTH	INFLATION PRESSURE	BYPASS DIAMETER	WEIGHT (LBS.)	DEFLATED DIAMETER			CONTACT LENGTH	
						PLUG DIAMETER	INSIDE WHEEL	OUTSIDE WHEEL	MAXIMUM	MINIMUM
279058	4"-6" (100-150 mm)	5' (1.5 m)	45 psi	NA	10	2.65"	NA	NA	53"	47"
279108	4"-6" (100-150 mm)	10' (3 m)	45 psi	NA	13.5	2.65"	NA	NA	113"	107"
279158	4"-6" (100-150 mm)	15' (4.5 m)	45 psi	NA	17.5	2.65"	NA	NA	173"	167"
287058	8"-12" (200-300 mm)	5' (1.5 m)	25 psi	2"	22	4.75"	5.14"	5.6"	48"	42"
287108	8"-12" (200-300 mm)	10' (3 m)	25 psi	2"	30	4.75"	5.14"	5.6"	108"	102"
287158	12"-16" (300-400 mm)	15' (4.5 m)	25 psi	2"	37.5	4.75"	5.14"	5.6"	168"	162"
288058	12"-16" (300-400 mm)	5' (1.5 m)	15 psi	2"	25	8.56"	10"	11.9"	50"	45"
288108	12"-16" (300-400 mm)	10' (3 m)	15 psi	2"	35	8.56"	10"	11.9"	110"	105"
288158	12"-16" (300-400 mm)	15' (4.5 m)	15 psi	2"	45	8.56"	10"	11.9"	170"	165"
289058	18"-24" (450-600 mm)	5' (1.5 m)	15 psi	2"	74	14.68"	15.42"	17.9"	49"	43"
289108	18"-24" (450-600 mm)	10' (3 m)	15 psi	2"	84	14.68"	15.42"	17.9"	109"	103"
289158	18"-24" (450-600 mm)	15' (4.5 m)	15 psi	2"	94	14.68"	15.42"	17.9"	169"	163"
284058	24"-36" (600-914 mm)	5' (1.5 m)	15 psi	4"	107	19.05"	19.56"	22.3"	48"	33"
284108	24"-36" (600-914 mm)	10' (3 m)	15 psi	4"	140.5	19.05"	19.56"	22.3"	108"	93"
284158	24"-36" (600-914 mm)	15'	15 psi	4"	182	19.05"	19.56"	22.3"	168"	153"



Point Repair Carrier