

JET-BALL™

Jet-Ball Pipeline Cleaning Ball Features:

- Inexpensive method for cleaning new lines prior to line acceptance testing
- Also for cleaning grease out of existing lines—the better alternative to an expensive jet truck
- Made of natural rubber

Equipped with:

- Eye bolts at each end for tethering
- Spiral grooves turn Jet Ball for superior pipe cleaning



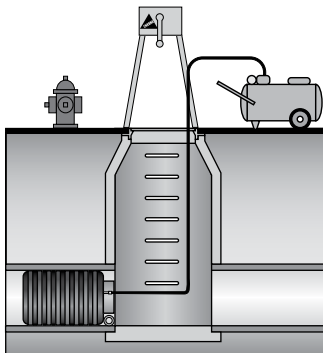
See Winches and Rollers on page 49

JET-BALL

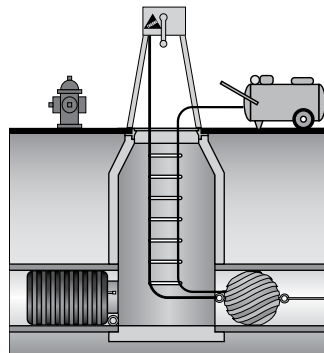


| PART NUMBER | NOMINAL SIZE | USAGE RANGE | | HEAD PRESSURE (FEET OF HEAD) | PRODUCT WEIGHT | DEFLATED LENGTH | DEFLATED DIAMETER | INFLATION VALVE THREAD SIZE | EYE BOLT |
|-------------|-----------------------------|-------------------|--------------------|------------------------------|---------------------|--------------------|--------------------|-----------------------------|----------|
| 254207 | 6" - 10" (150 - 250 mm) | 5.87" (149 mm) | 10.25" (260 mm) | 5 (1.5 M) | 2.5 lbs (1.1 kg) | 8" (203 mm) | 5.62" (142 mm) | 1/4" (1) | 3/8" (2) |
| 254215 | 10" - 14" (250 - 350 mm) | 8.75" (222 mm) | 14.25" (362 mm) | 5 (1.5 M) | 7.5 lbs (3.4 kg) | 12.25" (311 mm) | 8.5" (216 mm) | 1/4" (1) | 3/8" (2) |
| 254223 | 15" - 18" (375 - 450 mm) | 11" (279 mm) | 18.25" (464 mm) | 5 (1.5 M) | 13 lbs (5.9 kg) | 14.75" (375 mm) | 10.75" (273 mm) | 1/4" (1) | 3/8" (2) |

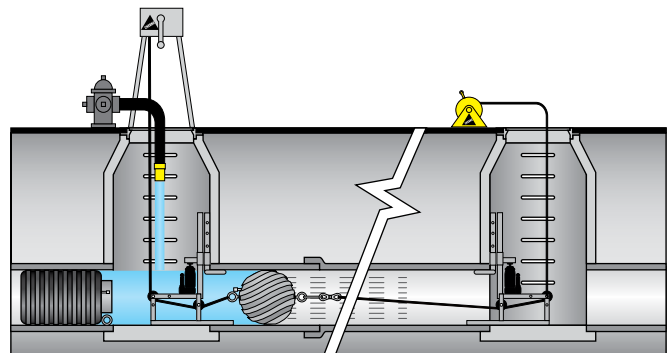
Jet-Ball™ Application



1) Install plug to isolate manhole



2) Attach Jet-Ball™ to tag line and inflate



3) Introduce water into manhole and slowly release Jet-Ball™ down the line.