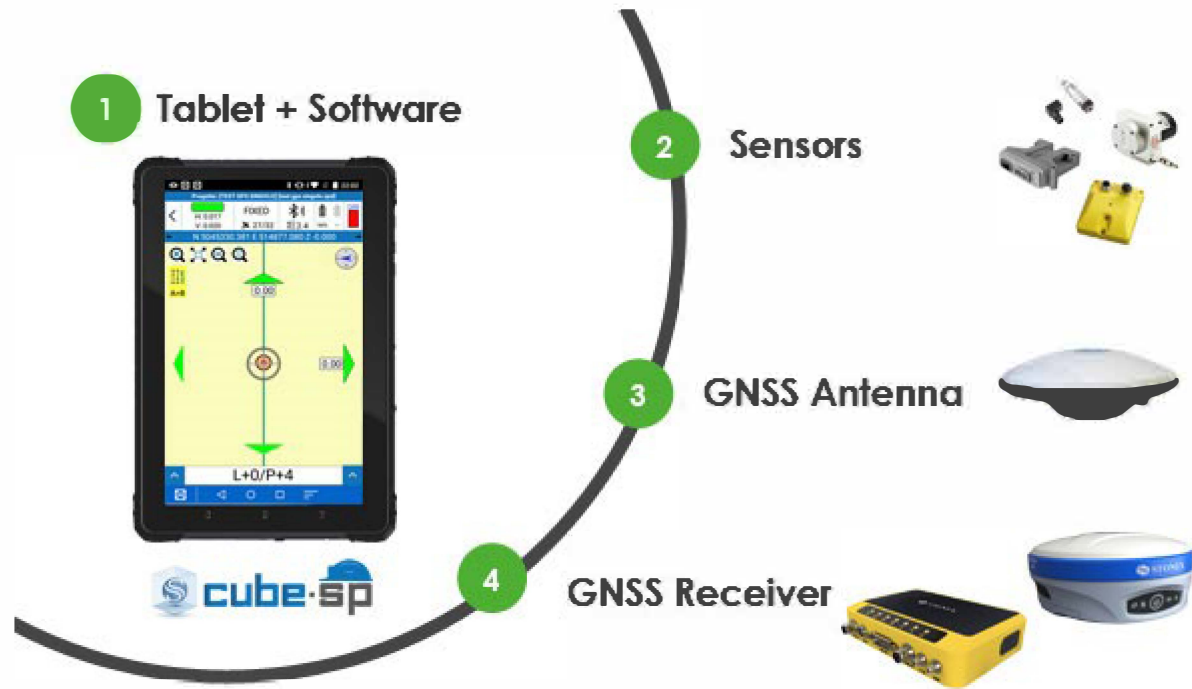


 **STONEX**



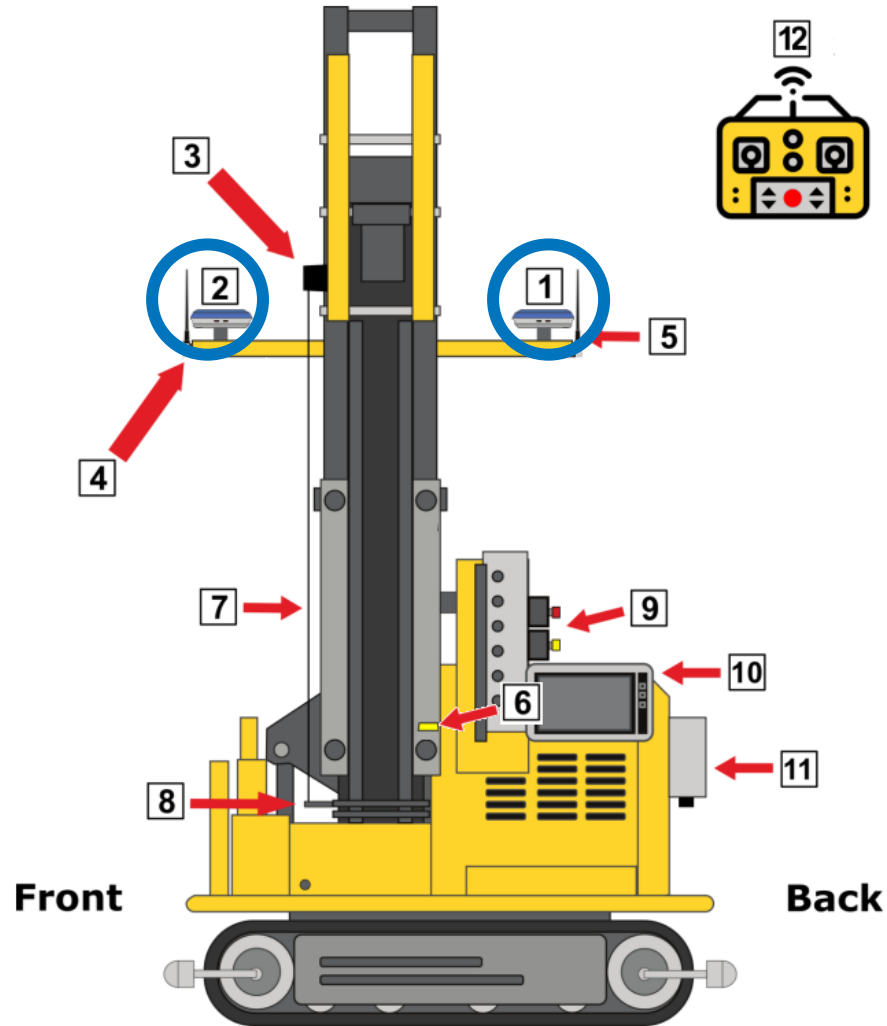
PRODUCT OPTIC



HARDWARE AND INSTALLATION



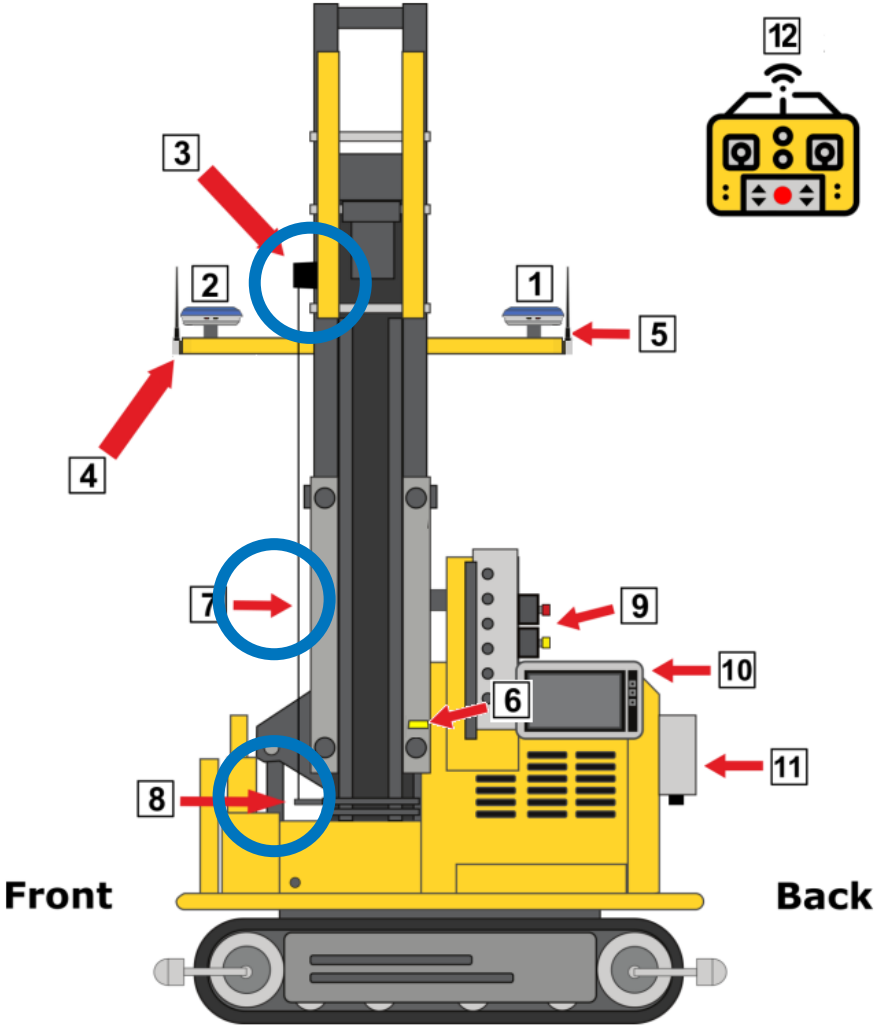
Vermeer PD10/PD10R Components:



- (1) GPS Antenna (Heading)
- (2) GPS Antenna (Position)
- (4) Antenna Cross Bar
- (5) UHF Antennas



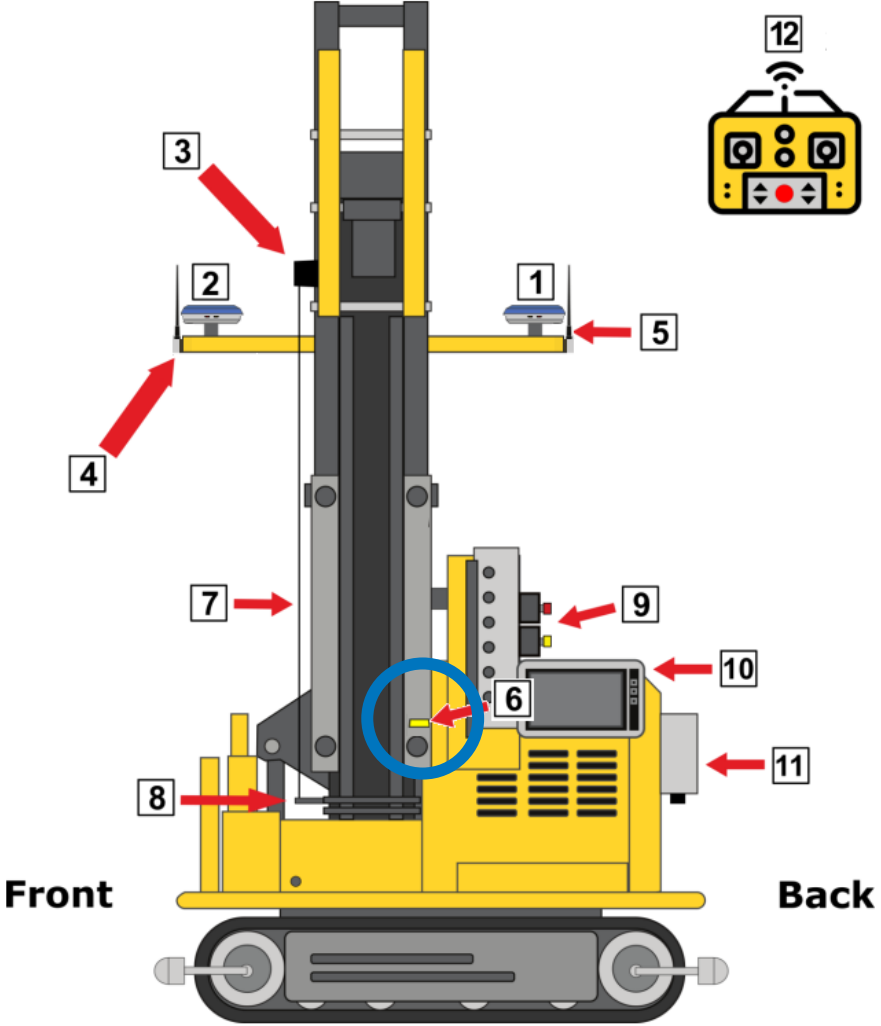
Vermeer PD10/PD10R Components:



- (3) Height Encoder
- (7) Height Encoder Line
- (8) Encoder Connection



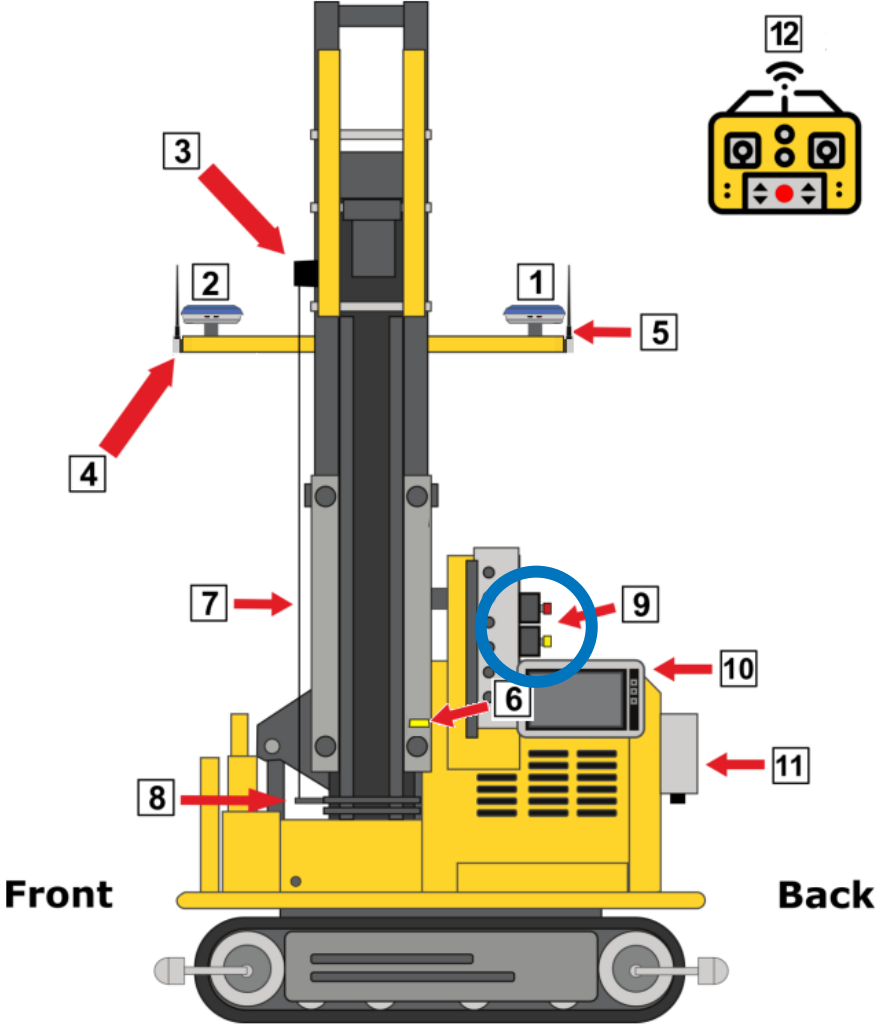
Vermeer PD10/PD10R Components:



(6) Slope Sensor



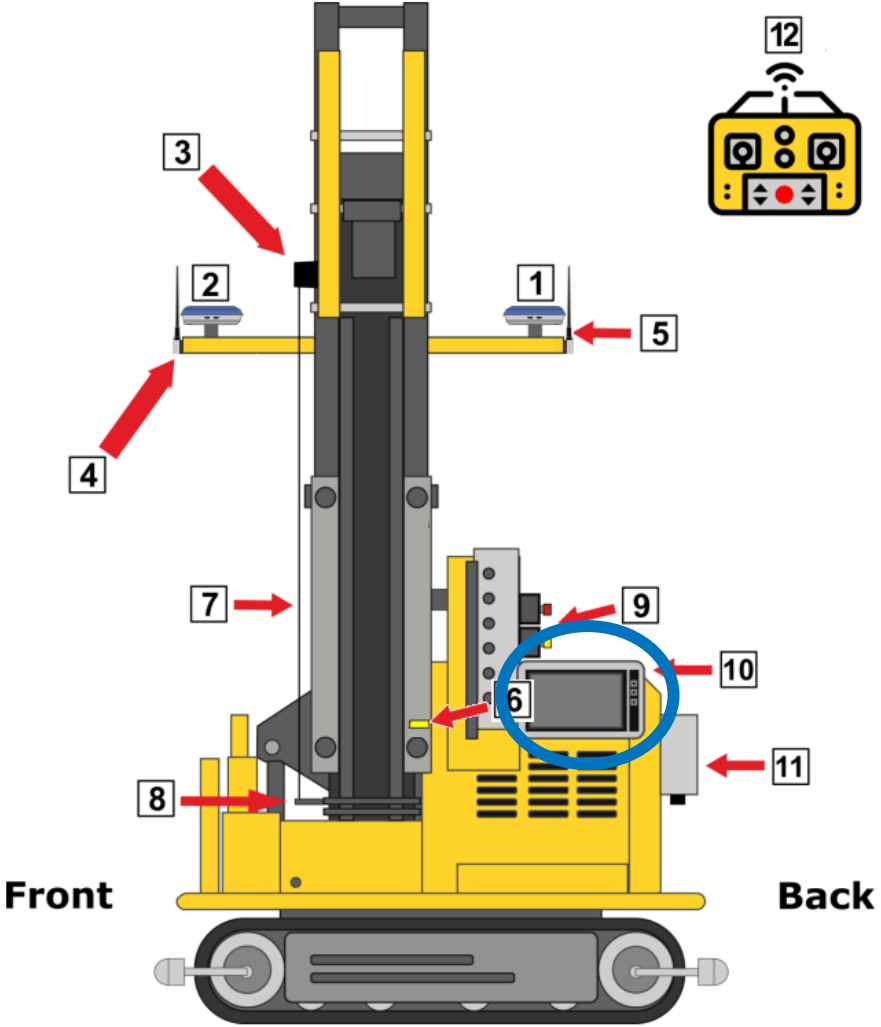
Vermeer PD10/PD10R Components:



(9) Manual Keypad



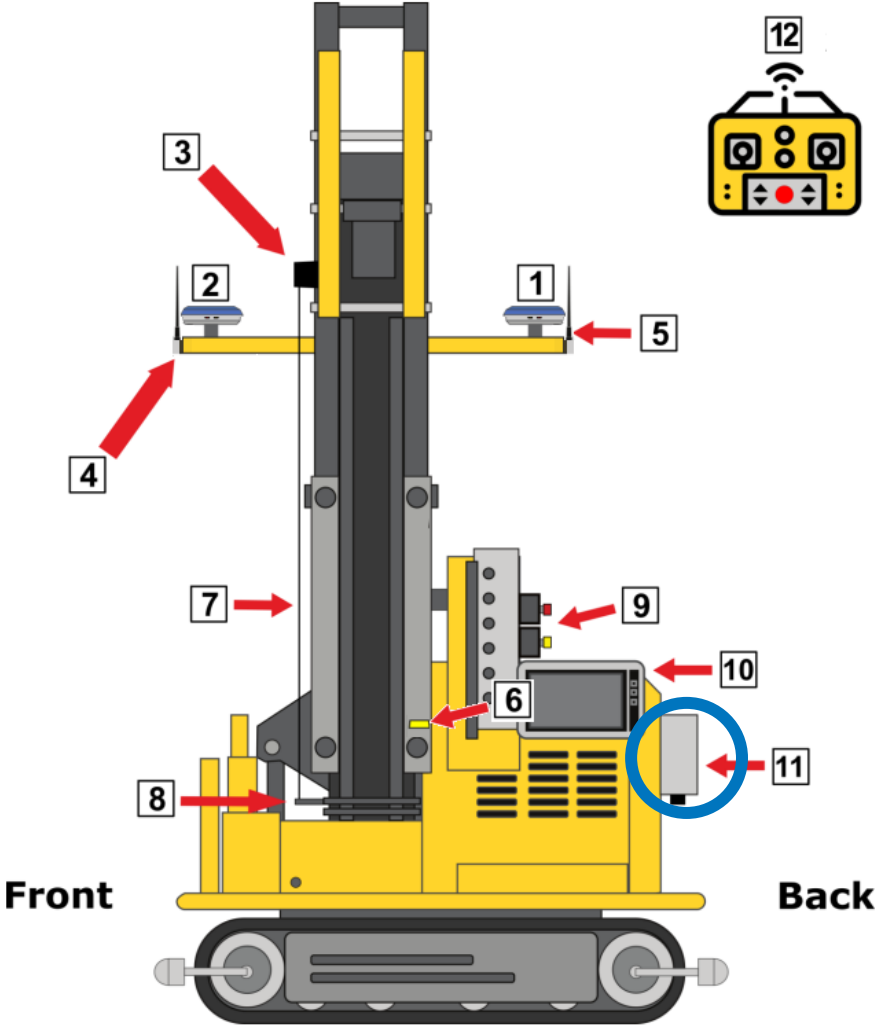
Vermeer PD10/PD10R Components:



(10) Control Panel Tablet and Mount



Vermeer PD10/PD10R Components:

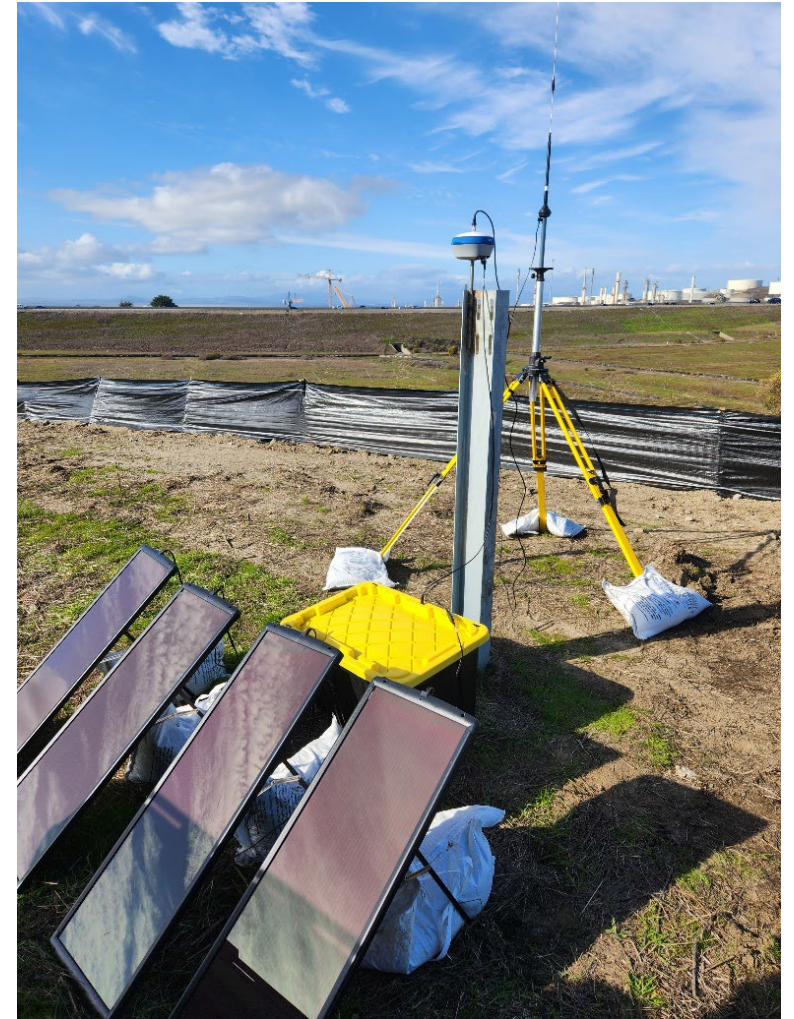


(11) SC600+ Control Unit, BT Axiomatic, Danfoss Controller, Wiring



GNSS BASE:

- System receives corrections via 450-470Mhz UHF
- Stonex base stations available
- Widest range of support of third-party base station (BYOD)



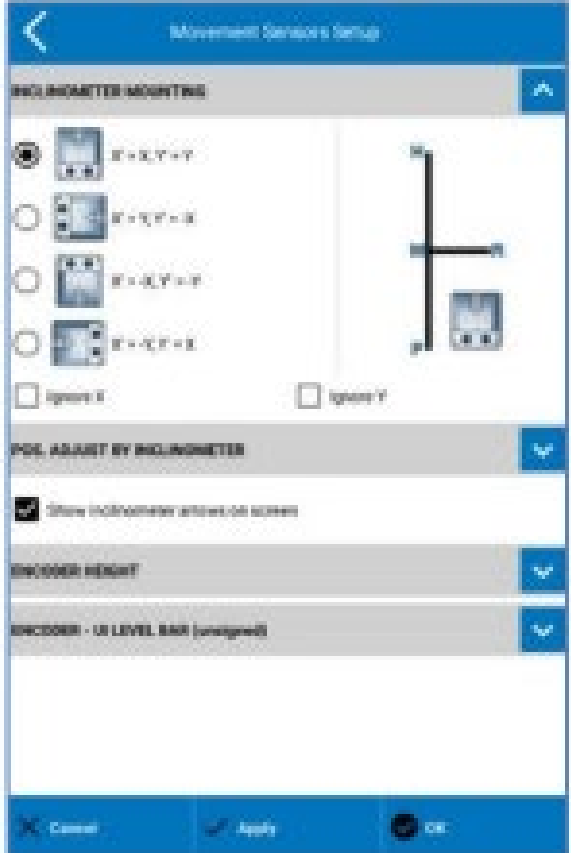
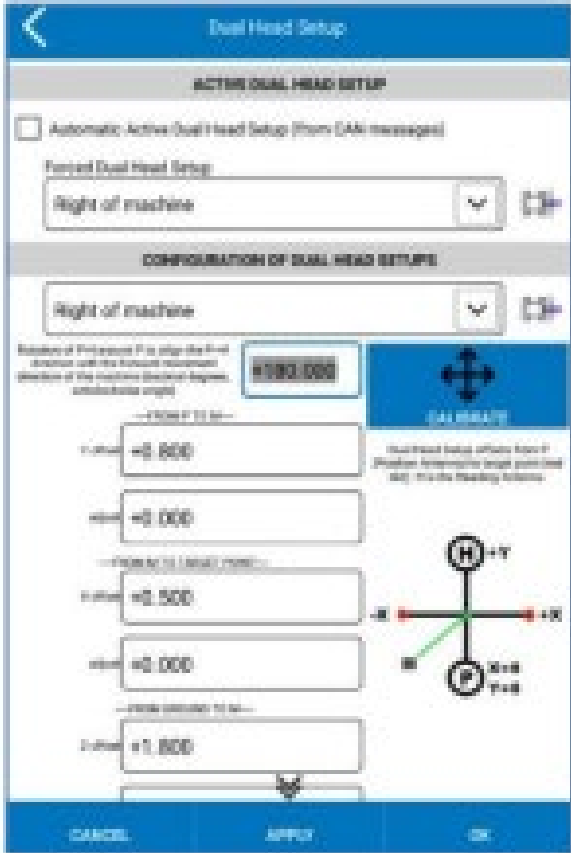
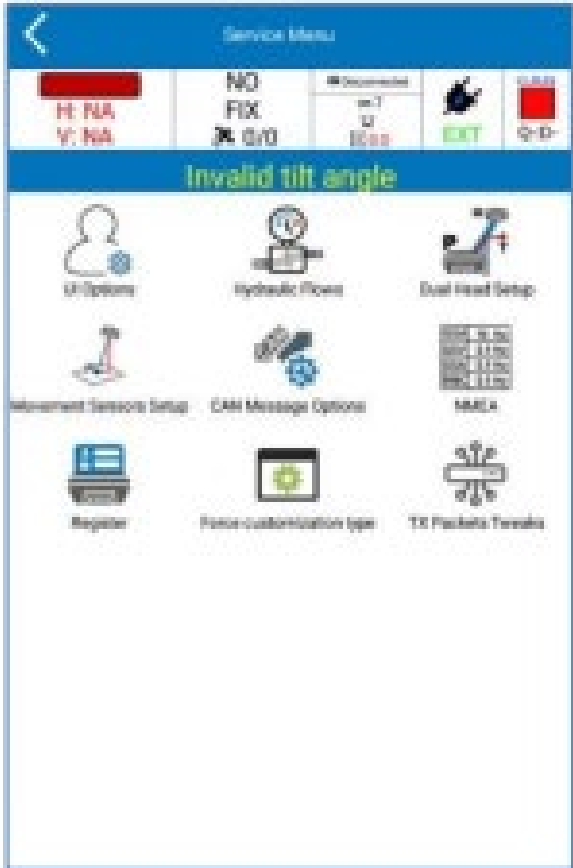
SOFTWARE AND OPERATION



Android 

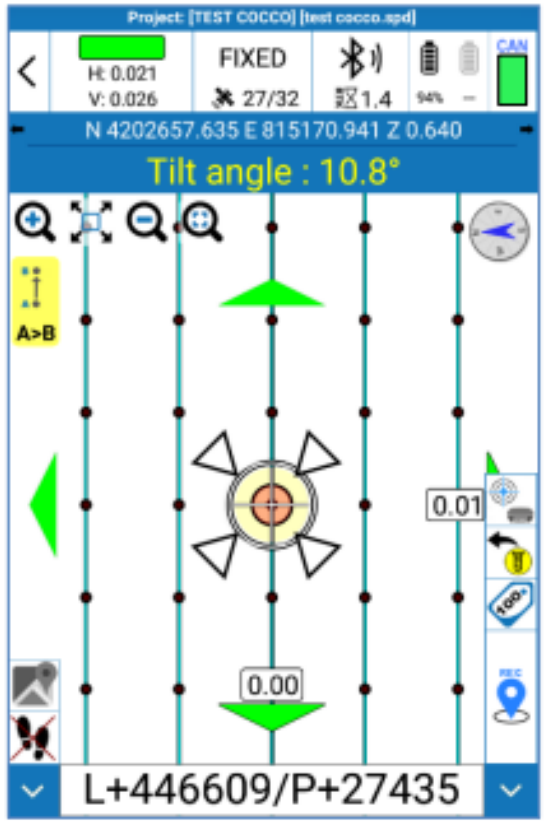


CONFIGURATION AND MACHINE SETUP:



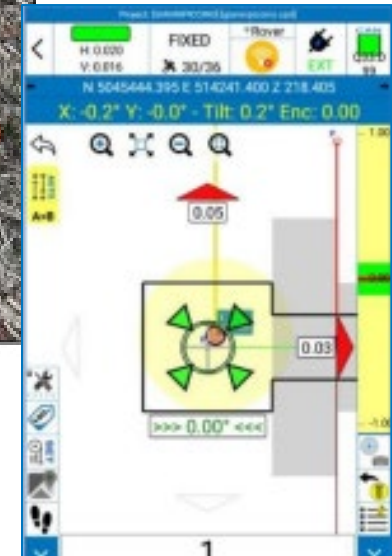
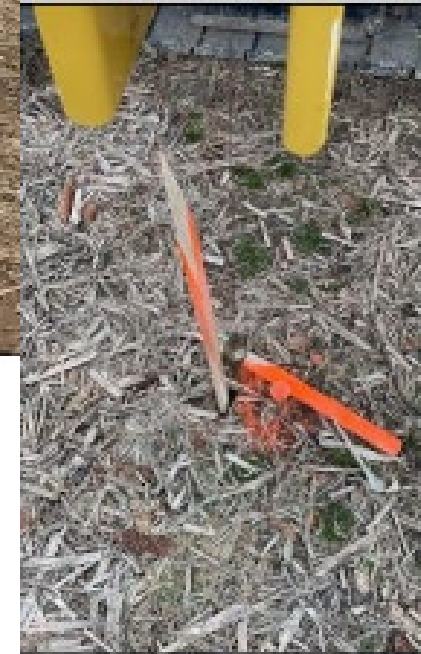
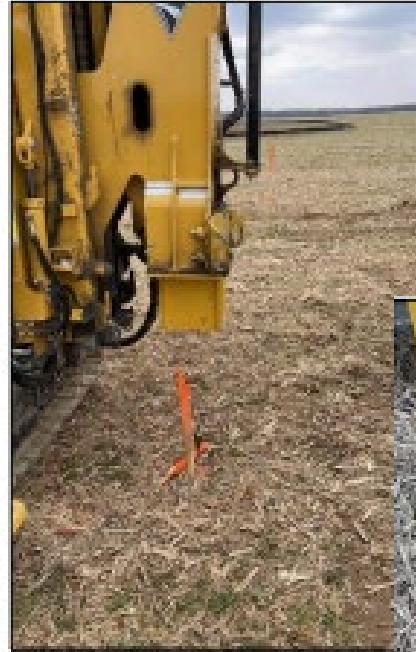
PROJECT SETUP AND PILE ID PLANS:

- Projects are set up using industry standard projections (State Plan Coordinates) and height fitting geoid models
- Ability to import local ground coordinates
- Pile ID plans imported as .csv, .txt files with option to use NGVD heights for top of pile locations or field reference height



OPERATOR WORKFLOW:

- The software automatically locks the guidance into the closest pile on the ID Plan
- Operator will align the machine twist as close to zero and move within the range of motion of the machine (highlighted in yellow)
- Operator will press the auto-center button on the remote or Stonex keypad and machine will auto center and level over the point
- Once complete the auto hammer option lights up green on the keypad and operator will initiate this on the keypad or the remote
- Once the hammer drives to the design elevation, the point is stored and the system will automatically advance to the next point



BENEFITS TO STONEX SOLUTION

1. Increase in accuracy and speed
2. Multiple simultaneous movements
3. Integrated installation with Vermeer OEM
4. Simplified operator interface
5. Redundant safety features
6. Remote access for support
7. Stonex support team access
8. Vermeer supported



IMPROVED CONSTRUCTION METHODS 877-494-5793

